

Part	Link	Unit Cost	Qty	Total Cost	ETA	Notes
Taylor-Henry Cart (THC)						
MiniTec Part #MT022720-3_V3	Cart Quote (as of 8/19/2022)	\$1,165.00	1	\$1,165.00	2-4 weeks	Contact Mike Taylor (mtaylor@minitecframing.com) to order.
Top Frame						
MiniTec Part #MT020519-1_Frame	Frame Quote (as of 8/27/2020)	\$159.00	1	\$159.00	2-4 weeks	Contact Mike Taylor (mtaylor@minitecframing.com) to order.
Rotary Drive System						
XYZ Turntable	XYZ Displays Link	\$924.00	1	\$924.00	2-3 weeks	
Extended Power Cable	Extension Cable Quote (as of 8/27/2020)	\$40.00	1	\$40.00	1-3 weeks	
MiniTec Part #MT020519-1_Motor Top Plate	Motor Top Plate Quote (as of 8/27/2020)	\$122.00	1	\$122.00	2-4 weeks	Contact Mike Taylor (mtaylor@minitecframing.com) to order. Drawings provided.
Tank						
HT3 Tank	Tank Quote (as of 8/27/2020)	\$2,150.00	1	\$2,150.00	4-5 weeks	\$1,500 + \$650 shipping. Drawings available for those who wish to purchase from local vendor
Tools and Accessories						
Suction Cups (for mounting drive to table top)	Amazon Link	\$12.97	1	\$12.97	1 week	Pack of 4
Goal Zero Yeti 200X (suggestion)	Goal Zero Link	\$299.95	1	\$299.95	1-2 weeks	Powers XYZ. Recommend lithium battery
Nuts (for mounting drive to table top)	McMaster Link	\$7.93	1	\$7.93	2 days	Pack of 100
Bolts (for mounting drive to table top)	McMaster Link	\$8.00	1	\$8.00	2 days	Pack of 10
Hex Key Set (for MiniTec)	McMaster Link	\$25.82	1	\$25.82	2 days	Set of 6 (2-6mm)
Adjustable Wrench (for mounting drive to table top)	McMaster Link	\$17.76	1	\$17.76	2 days	
			Subtotal	\$4,932.43		

Quote No.: 50369

PH # (585) 924-4690
 FX # (585) 924-4821

Bill To: **EMAIL INVOICES TO: Taylor Lonner**

Ship To: **EMAIL INVOICES TO:**

PH #
 FX #

Email: taylor.lonner@gmail.com

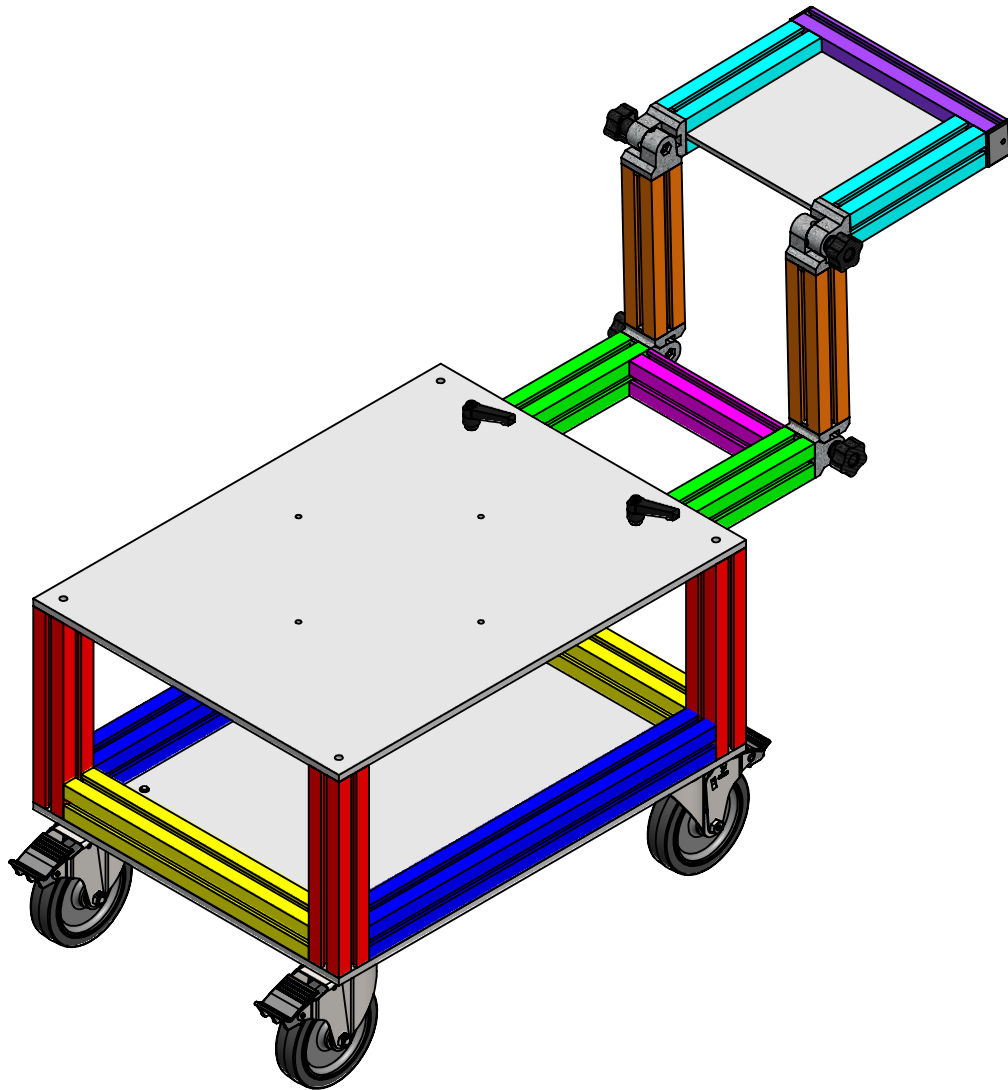
Date	Ship Via	F.O.B.	Terms
08/11/2022	BEST PPD & ADD	Origin	Credit Card
Quote Expiration Date	Sales Person		Email Address
12/09/2022	Michael Taylor: (585) 433-8405		(mtaylor@minitecframing.com)

Quantity Required	Units	Item Number	Description	Unit Price	Amount
1	ea	SYSTEM	CART PER SUPPLIED MODEL "TABLETANKv3" MINITEC PART # MT022720-3_V3 MEASURES 18" X 24" X 16.95" SITS ON 5" CASTERS (2X SWIVEL-LOCKING, 2X FIXED) TOP AND BOTTOM ARE 3/8" ALUM, SHELF IS 1/4" ALUM INCLUDES M8X25mm THREADED HANDLES SHIPS IN KIT FORM	1165.0000	1165.00
40.920	in	20.1063	45x45 UL Profile 2 @ 20.46 PLBE	0.0000	0.00
28.920	in	20.1063	45x45 UL Profile 2 @ 14.46 PLBE	0.0000	0.00
24.000	in	20.1063	45x45 UL Profile 2 @ 12.0 T1E	0.0000	0.00
40.000	in	20.1063	45x45 UL Profile 4 @ 10.0 TBE	0.0000	0.00
16.500	in	20.1063	45x45 UL Profile 2 @ 8.25 TBE	0.0000	0.00
16.000	in	20.1063	45x45 UL Profile 2 @ 8.0 PL1E, T1E	0.0000	0.00
11.460	in	20.1065	45x32 UL Profile 1 @ 11.46	0.0000	0.00
15.826	in	20.1065	45x32 UL Profile 2 @ 7.913 PLBE45	0.0000	0.00
2	ea	21.9404/1	Without Mounting Hardware & Brake Without Mounting Hardware	0.00	0.00
2	ea	21.9407/1	Component (Without Hardware) Rigid Caster 5"	0.00	0.00
12	ea	21.1264	M8x12 SHCS Zinc Plated (caster to plate)	0.0000	0.00

Thank You

DIY DYNAMICS

Taylor-Henry Cart (THC)



PH # (585) 924-4690
 FX # (585) 924-4821

Bill To: **UCLA**
 Accounts Payable
 10920 Wilshire Blvd 5th F
 Los Angeles, CA 90024-6502

Ship To: **UCLA Earth, Planetary & Space Sci.**
 603 Charles E. Young Dr. East
 Slichter Hall, RM 3845 Taylor Lonner
 Los Angeles, CA 90095

PH # (310) 206-2039
 FX #

Email: gcontrer@epss.ucla.edu

Date	Ship Via	F.O.B.	Terms		
07/02/20	BEST PPD & ADD	Origin	Net 30		
Quote Expiration Date	Sales Person		Email Address		
09/30/20	Michael Taylor: (585) 433-8405		(mtaylor@minitecframing.com)		
Quantity Required	Units	Item Number	Description	Unit Price	Amount
			Ships 4-6 days ARO		
1	ea	SYSTEM	Table kit Minitec Part # MT020519-1_Frame Made from 32x32UL profile with a 3/8" Clear Polycarbonate Top surface Ships in kit form	159.0000	159.00
0.00			Quote subtotal		159.00
			Quote total		159.00

OPTIONAL TERMS OF SALE

CREDIT CARD SALES: Please call with or fax the following information:

Company Name, Individual name as it appears on card, card number, expiration date, security code, billing address.

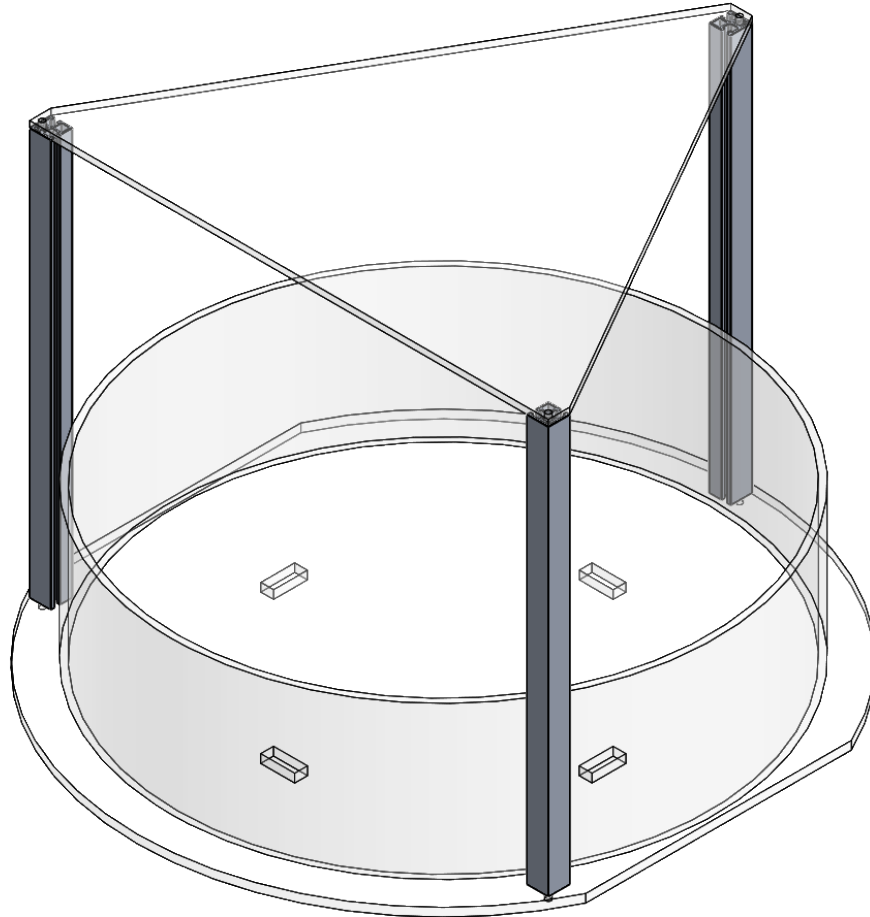
TO ESTABLISH NET 30 TERMS: Please go to <http://minitecframing.com/payment.html> and complete and return the credit application in conjunction with your company purchase order. Terms will be established to well qualified buyers listed with Dun & Bradstreet, by the end of the following business day.

MINITEC REQUIRES A \$50.00 MINIMUM ORDER

Thank You

DYNAMICS

HT3 Frame





NEVER A PROBLEM ONLY A SOLUTION

Search...



- Exhibits & Displays
- Banner Stands
- Digital Kiosks
- Hanging Banners & Signs
- Table Top Displays
- Counters & Podiums
- Tower Displays

Design Services

Upload Your Files

Menu

- 10x10 Trade Show Displays
- 10x20 Trade Show Displays
- 10x30 Trade Show Displays
- 20x20 Trade Show Displays and Booths
- Custom Exhibits & Displays
- Step & Repeat Banner Displays
- Design Services
- Backlit Illuminated Displays
- Shipping & Display Cases

Motorized Turntables &

0.0 ★★★★★
No rating available

Home > Motorized Turntables & Ceiling Motors > Vue-More Turntables > Rotating Display Turntables >



Display Turntable with up to 13.3 RPM Variable Speed - 200 lb Cap (VSBLDC)

★★★★★ 1 Review

Product Details

- Capacity: 200 lb
- Standard RPM: up to 13.3
- Clockwise or Counterclockwise Rotation

Links to Related Vue-More Products

- [Rotating Display Turntables](#)
- [Rotating Ceiling Motors](#)

Leave a message





ORIENTAL MOTOR U.S.A. Corp.
570 Alaska Avenue
Torrance, CA 90503
1-800-GO-VEXTA (468-3982)

Item # CC015HBLF, Connection / Extension Cable (F Type - Motor Shaft Outlet), 1.5 m

Connection / Extension cable for BLM Brushless DC Motor

Web Price

\$40.00



[Specifications](#) | [Dimensions](#)

Specifications

Lead Time¹	Contact your local sales office for more information.
Cable Type	Plastic Connector
Cable Direction	F Type - Toward Output Shaft
Cable Length	4.92 ft

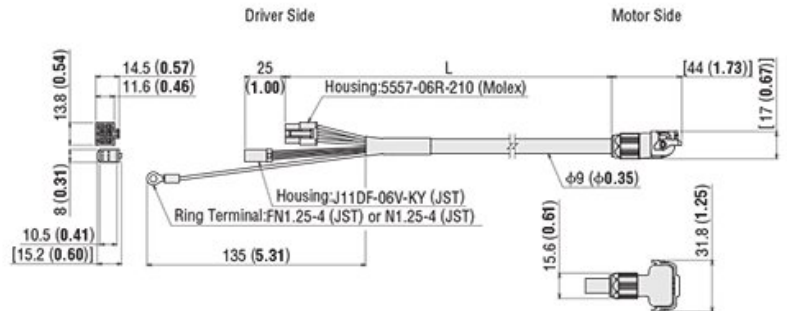
Dimensions



■ Dimensions

● Connection Cables

Length L [m (ft.)]	Product Name		Mass [kg (lb.)]
	Output shaft side	Opposite side of output shaft	
0.5 (1.6)	CC005HBLF	CC005HBLB	0.08 (0.176)
1 (3.3)	CC010HBLF	CC010HBLB	0.12 (0.26)
1.5 (4.9)	CC015HBLF	CC015HBLB	0.2 (0.44)
2 (6.6)	CC020HBLF	CC020HBLB	0.25 (0.55)
2.5 (8.2)	CC025HBLF	CC025HBLB	0.32 (0.70)
3 (9.8)	CC030HBLF	CC030HBLB	0.38 (0.84)
4 (13.1)	CC040HBLF	CC040HBLB	0.49 (1.08)
5 (16.4)	CC050HBLF	CC050HBLB	0.62 (1.36)
7 (23)	CC070HBLF	CC070HBLB	0.86 (1.89)
10 (32.8)	CC100HBLF	CC100HBLB	1.2 (2.6)
15 (49.2)	CC150HBLF	CC150HBLB	1.9 (4.2)
20 (65.6)	CC200HBLF	CC200HBLB	2.5 (5.5)



¹ Quoted Ship Date for orders placed before 12:00 pm PST. Quantities may affect Shipping Date.

PH # (585) 924-4690
 FX # (585) 924-4821

Bill To: **UCLA**
 Accounts Payable
 10920 Wilshire Blvd 5th F
 Los Angeles, CA 90024-6502

Ship To: **UCLA Earth, Planetary & Space Sci.**
 603 Charles E. Young Dr. East
 Slichter Hall, RM 3845 Taylor Lonner
 Los Angeles, CA 90095

PH # (310) 206-2039
 FX #

Email: gcontrer@epss.ucla.edu

Date	Ship Via	F.O.B.	Terms		
07/02/20	BEST PPD & ADD	Origin	Net 30		
Quote Expiration Date	Sales Person		Email Address		
09/30/20	Michael Taylor: (585) 433-8405		(mtaylor@minitecframing.com)		
Quantity Required	Units	Item Number	Description	Unit Price	Amount
			Ships 4-6 days ARO		
1	ea	SYSTEM	Motor Top Plate Minitec Part # MT020519-1_Motor Top Plate Made from 3/8" x 18" Diameter Aluminum Includes (3) 10-32 x 1" FHCS Ships in kit form	122.0000	122.00
0.00			Quote subtotal		122.00
			Quote total		122.00

OPTIONAL TERMS OF SALE

CREDIT CARD SALES: Please call with or fax the following information:

Company Name, Individual name as it appears on card, card number, expiration date, security code, billing address.

TO ESTABLISH NET 30 TERMS: Please go to <http://minitecframing.com/payment.html> and complete and return the credit application in conjunction with your company purchase order. Terms will be established to well qualified buyers listed with Dun & Bradstreet, by the end of the following business day.

MINITEC REQUIRES A \$50.00 MINIMUM ORDER

Thank You

B

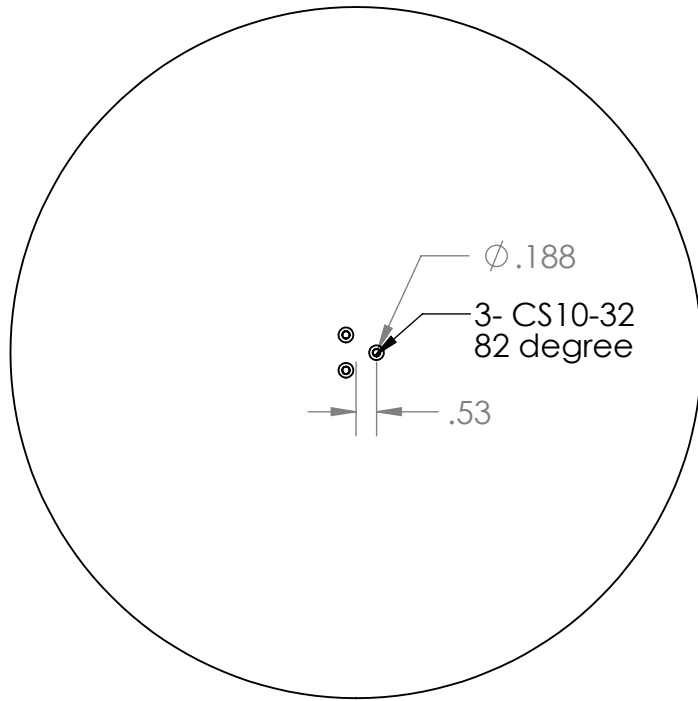
A

B

A

2

1



PROPRIETARY AND CONFIDENTIAL
 THE INFORMATION CONTAINED IN THIS DRAWING IS THE SOLE PROPERTY OF <INSERT COMPANY NAME HERE>. ANY REPRODUCTION IN PART OR AS A WHOLE WITHOUT THE WRITTEN PERMISSION OF <INSERT COMPANY NAME HERE> IS PROHIBITED.

		UNLESS OTHERWISE SPECIFIED:		NAME	DATE
		DIMENSIONS ARE IN INCHES	DRAWN	T.L.	8/27/20
		TOLERANCES:	CHECKED		
		FRACTIONAL \pm	ENG APPR.		
		ANGULAR: MACH \pm BEND \pm	MFG APPR.		
		TWO PLACE DECIMAL \pm	Q.A.		
		THREE PLACE DECIMAL \pm	COMMENTS:		
		INTERPRET GEOMETRIC TOLERANCING PER:			
		MATERIAL			
		Aluminum			
		FINISH			
NEXT ASSY	USED ON				
APPLICATION		DO NOT SCALE DRAWING			

TITLE:
Motor Top Plate Drawing

SIZE	DWG. NO.	REV
A	TopPlate	1
SCALE: 1:5	WEIGHT:	SHEET 1 OF 1

2

1

Quote THE-HT3

SoCal Plastics Pro

1707 W. Pico Blvd.

Los Angeles, CA 90015

818-912-0554 | scplasticspro@gmail.com

July 20th , 2020

BILL TO

Alex Gonzalez | Iowa State University

3009 Agronomy 716 Farm House Ln.

Ames, IA 50011

agon@iastate.edu

FOR

Custom Acrylic Tank

The HT3 Tank

Lead time 4-7 weeks

Details

AMOUNT

1 Custom Acrylic Tank - The HT3	\$1,500.00
--	-------------------

If you would like to use Iowa State University's shipping account please let us know so we could

remove shipping charge

SUBTOTAL	\$1,500.00
----------	-------------------

TAX RATE	N/A
----------	------------

Shipping	\$650.00
----------	-----------------

TOTAL	\$2,150.00
-------	-------------------

Make all checks payable to SoCal Plastics Pro

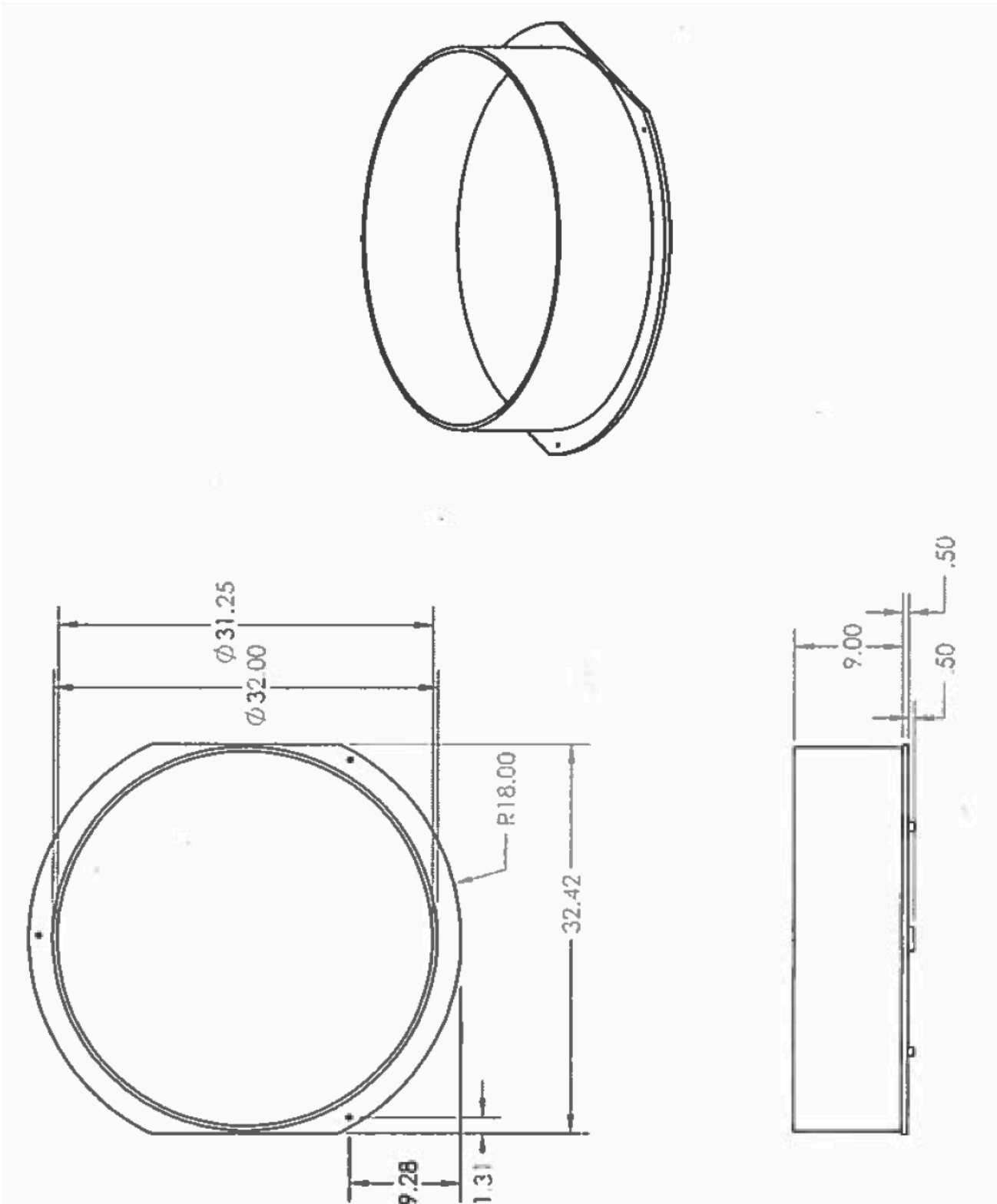
If you have any questions concerning this invoice, please feel free to contact:

SoCal Plastics Pro at scplasticspro@gmail.com or 818-912-0554

THANK YOU FOR YOUR BUSINESS!

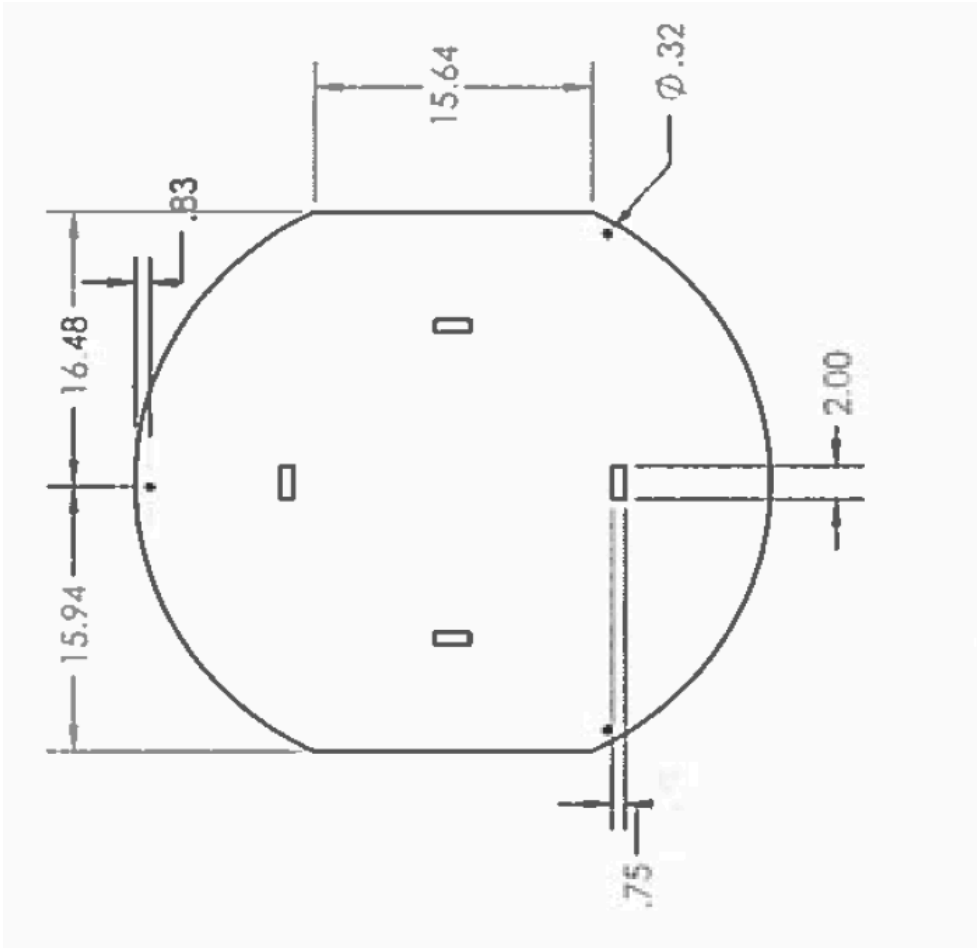
Details

AMOUNT



Details

AMOUNT

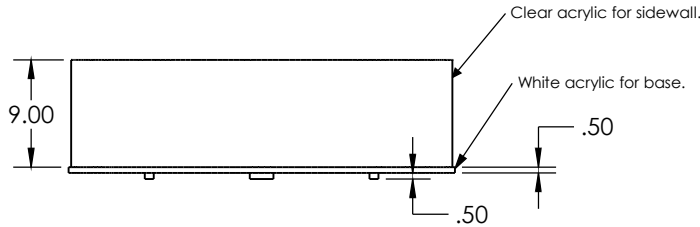
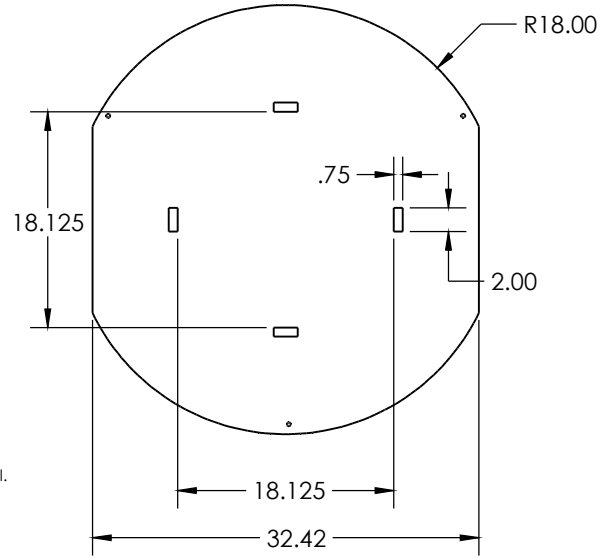
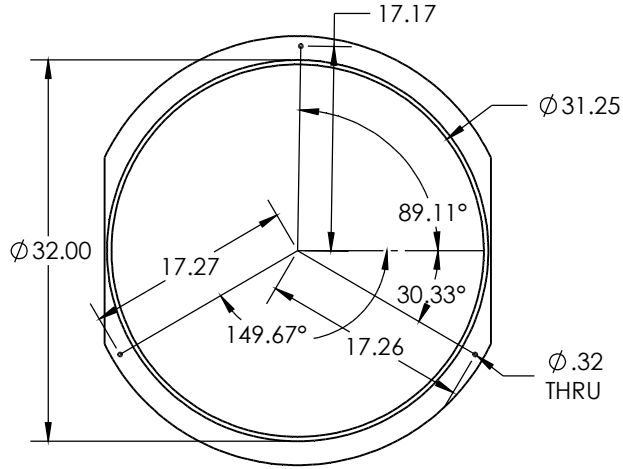


2

1

B

B



A

A

PROPRIETARY AND CONFIDENTIAL
 THE INFORMATION CONTAINED IN THIS DRAWING IS THE SOLE PROPERTY OF <INSERT COMPANY NAME HERE>. ANY REPRODUCTION IN PART OR AS A WHOLE WITHOUT THE WRITTEN PERMISSION OF <INSERT COMPANY NAME HERE> IS PROHIBITED.

		UNLESS OTHERWISE SPECIFIED:	NAME	DATE	TITLE: HT3 Tank Drawing
		DIMENSIONS ARE IN INCHES	T.L.	5/25/21	
		TOLERANCES:	CHECKED		
		FRACTIONAL ±	ENG APPR.		
		ANGULAR: MACH ± BEND ±	MFG APPR.		
		TWO PLACE DECIMAL ±	Q.A.		SIZE DWG. NO. REV A HT3 Tank 2
		THREE PLACE DECIMAL ±	COMMENTS:		
		INTERPRET GEOMETRIC TOLERANCING PER:			SCALE: 1:12 WEIGHT: SHEET 1 OF 1
		MATERIAL Acrylic			
NEXT ASSY	USED ON	FINISH			
APPLICATION		DO NOT SCALE DRAWING			

2

1



ZESPROKA Grease Splatter Screen for Frying Pan, 13", Stainless... 634

Home & Kitchen > Kitchen & Dining > Kitchen Utensils & Gadgets > Graters, Peelers & Slicers > Mandolines & Slicers

Sponsored



New Star Foodservice 39665 Suction Cup Feet for Industrial Commercial French Fry Cutter, Set of 4

Visit the New Star Foodservice Store

★★★★☆ 269 ratings

Amazon's Choice for "rubber suction cups"

Price: \$14.97 & FREE Returns

Get \$50 off instantly: Pay \$0.00 \$14.97 upon approval for the Amazon Rewards Visa Card. No annual fee.

This item is returnable

- Includes 4 suction feet made from durable rubber
- Designed to eliminate the need to screw cutters to walls or tables
- Each suction base measures approximately 3" in diameter and 2.2" in height
- Compatible with New Star 3/8", 1/2", and 1/4" French Fry Cutters
- NO drill needed with such good powerful suction feet

Compare with similar items

U-TASTE Are you looking for high quality measuring cups? U-Taste 10 Piece Measuring Cups...



\$14.97

& FREE Returns

FREE delivery: Friday, Sep 4 on your first order.

Fastest delivery: Saturday, Aug 29 Order within 5 hrs and 58 mins Details

In Stock.

Qty: 1

Add to Cart

Buy Now

Secure transaction

Sold by New Star Foodservice Inc and Fulfilled by Amazon.

Add gift options

Select delivery location

Add to List

Add to Wedding Registry

SHOP PRODUCTS / POWER

< PREVIOUS NEXT >

SKU: 22070

GOAL ZERO YETI 200X PORTABLE POWER STATION

\$299.95

★★★★★ (8)

Starting at \$28/mo with [affirm](#). [Learn more](#)

Features

Tech Specs



Our most lightweight power station to date, the new Yeti 200X delivers 187 Watt-Hours of lithium power and the latest fast-charging tech... [more](#)



Goal Zero Yeti 200...
\$299.95

+ 20W Solar
\$449.95

ESSENTIAL ADD-ONS

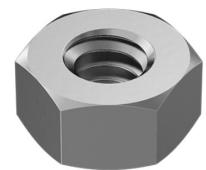
-  [Yeti 200X Protection Case](#)
\$39.95
-  [Yeti 12V Car Charging Cable](#)
\$39.95

EMAIL SIGN UP



Super-Corrosion-Resistant 316 Stainless Steel Hex Nut

1/4"-20 Thread Size



Packs of 100 In stock
 \$7.93 per pack of 100
 94804A029

ADD TO ORDER

Material	316 Stainless Steel
Thread Size	1/4"-20
Thread Type	UNC
Thread Spacing	Coarse
Thread Fit	Class 2B
Thread Direction	Right Hand
Width	7/16"
Height	7/32"
Drive Style	External Hex
Nut Type	Hex
Hex Nut Profile	Standard
System of Measurement	Inch
RoHS	RoHS 3 (2015/863/EU) Compliant
REACH	REACH (EC 1907/2006) (06/25/2020, 209 SVHC) Compliant
DFARS	Not Specialty Metals Compliant
Country of Origin	Philippines or Taiwan

These nuts have excellent chemical resistance and can be used in saltwater environments. They may be mildly magnetic.



3-D Solidworks ▾

SAVE

Stainless Steel Flanged Hex Head Screw

1/4"-20 Thread Size, 1" Long



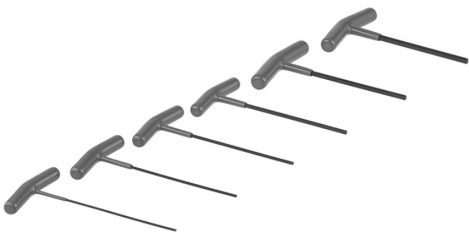
Packs of 10 In stock
 \$8.00 per pack of 10
 90166A114

ADD TO ORDER

Head Type	Hex
Screw Features	Flanged
Drive Style	External Hex
System of Measurement	Inch
Thread Direction	Right Hand
Thread Size	1/4"-20
Screw Size Decimal	0.25"
Equivalent	
Thread Type	UNC
Thread Fit	Class 2A
Length	1"
Threading	Fully Threaded
Thread Spacing	Coarse
Head	
Width	3/8"
Height	9/32"
Flange Diameter	9/16"
Material	18-8 Stainless Steel
Tensile Strength	70,000 psi
Hardness	Rockwell B80
Specifications Met	ASTM F593, IFI 111
RoHS	RoHS 3 (2015/863/EU) Compliant
REACH	REACH (EC 1907/2006) (06/25/2020, 209 SVHC) Compliant
DFARS	Not Specialty Metals Compliant
Country of Origin	United States

T-Handle Hex Key

6 Piece Metric Set



Each In stock
 \$25.82 Each
 6954A43

ADD TO ORDER

For Drive Style	Hex
Number of Pieces	6
Includes	2 mm Hex T-Handle Key (6" O'all Lg.) 2.5 mm Hex T-Handle Key (6" O'all Lg.) 3 mm Hex T-Handle Key (6" O'all Lg.) 4 mm Hex T-Handle Key (6" O'all Lg.) 5 mm Hex T-Handle Key (6" O'all Lg.) 6 mm Hex T-Handle Key (6" O'all Lg.)
Size	2 mm, 2.5 mm, 3 mm, 4 mm, 5 mm, 6 mm
Overall Length	6"
Material	Steel
Finish	Black
Handle Material	Plastic
Grip Style	Cushion
Tip Style	Standard
Driver Style	T-Handle
Driver Type	Standard
Individual/Set	Set
Container Type	Plastic Pouch
RoHS	RoHS 3 (2015/863/EU) Compliant
REACH	REACH (EC 1907/2006) (06/25/2020, 209 SVHC) Compliant
DFARS	Specialty Metals COTS-Exempt
Country of Origin	United States

Sets include assorted keys with long shafts that reach into tight spots to turn fasteners. The plastic-covered handles provide a good grip for your whole hand and are more comfortable to hold.

Chrome-Plated Adjustable Wrench

8" Overall Length, 1-3/16" Maximum Jaw Capacity

Each

In stock
\$17.76 Each
5385A21

ADD TO ORDER



Wrench Type	Standard
Wrench Style	Open End
Overall Length	8"
Jaw	
Maximum Capacity	1 3/16"
Type	Adjustable
Texture	Smooth
Head Style	Standard
Ratcheting or Nonratcheting	Nonratcheting
Material	Steel
Finish	Chrome Plated
Specifications Met	SAE AS4984A
For Use With	Screws and Nuts
Individual/Set	Individual
RoHS	RoHS 3 (2015/863/EU) Compliant
REACH	REACH (EC 1907/2006) (06/25/2020, 209 SVHC) Compliant
DFARS	Specialty Metals COTS-Exempt
Country of Origin	Taiwan

All wrenches are made in the USA, except those that meet AS4984A.

Wrenches meeting AS4984A have a thicker nickel-chrome coating for greater corrosion resistance and are imported.