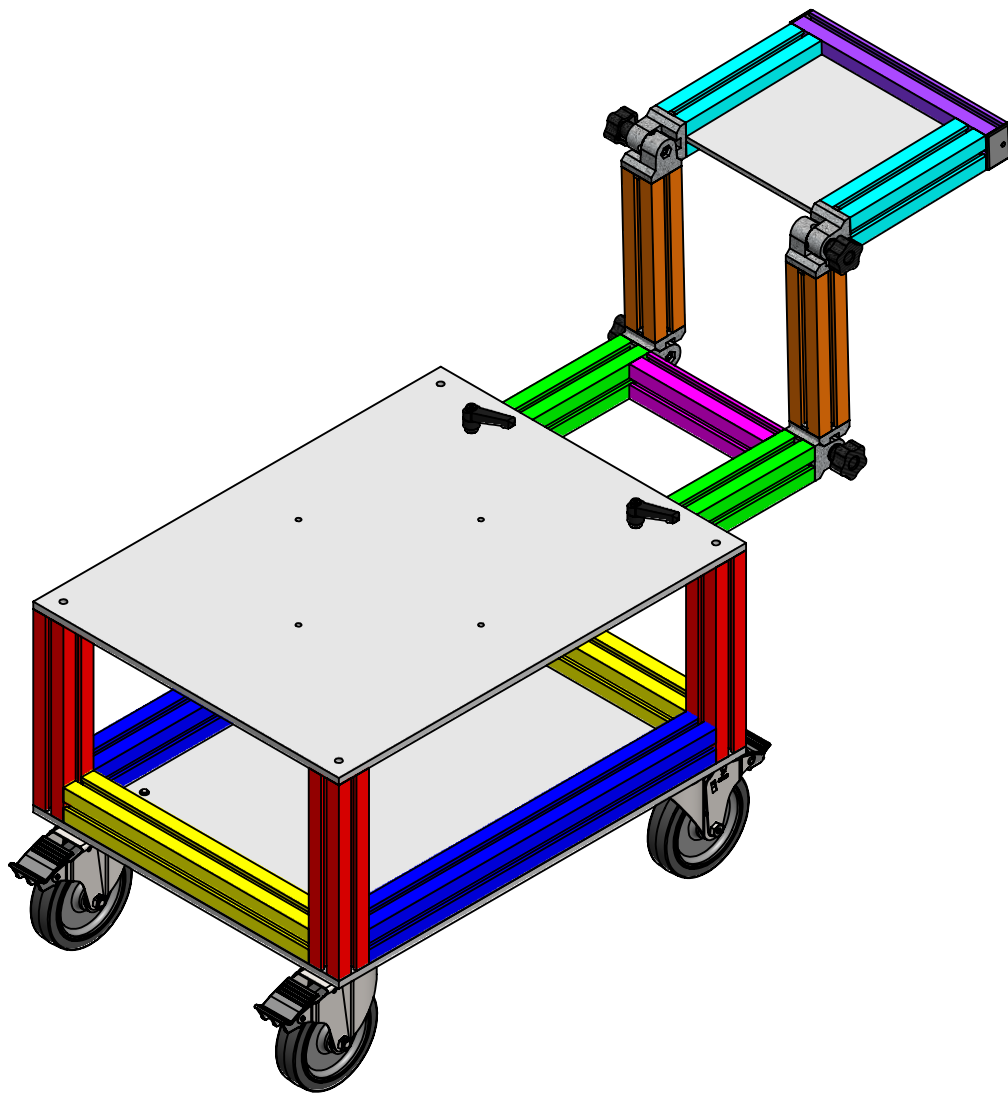
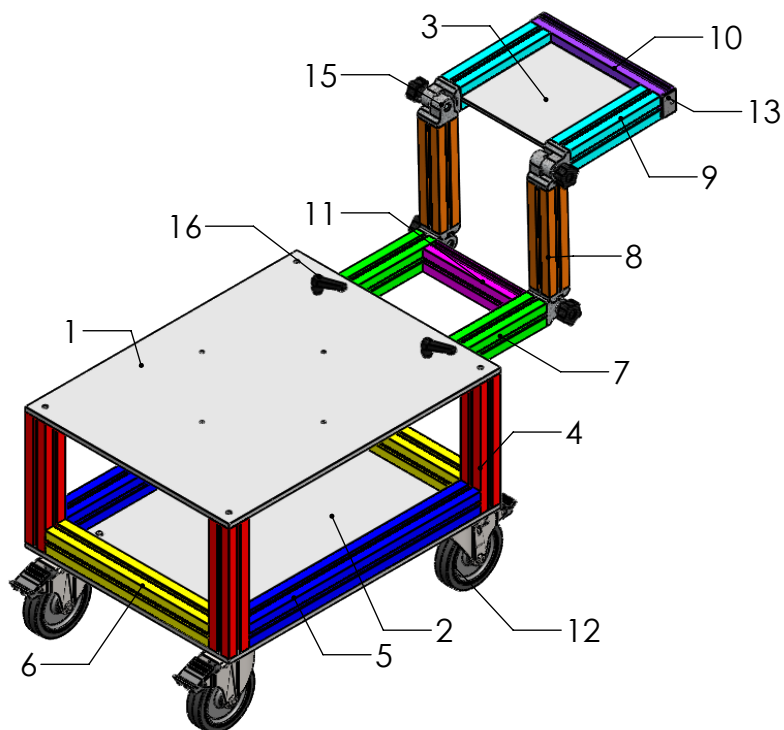


DIY DYNAMICS

Taylor-Henry Cart (THC)



Parts



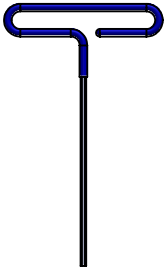
*14 not visible

ITEM NO.	PART NAME	DESCRIPTION	QTY.
1	TABLE_TOP	TOP DECK, PRE-DRILLED HOLES FOR XYZ MOTOR BASE	1
2	TABLE_BOTTOM	BOTTOM DECK, PRE-DRILLED HOLES FOR CASTERS	1
3	TABLE_PLATFORM	HANDLE DECK, IDEAL FOR HOLDING DEMO MATERIALS	1
4	PROFILEUL_1	CART LEG	4
5	PROFILEUL_2	CART LENGTH REINFORCEMENT	2
6	PROFILEUL_3	CART WIDTH REINFORCEMENT	2
7	PROFILEUL_4	SLIDING ARM	2
8	PROFILEUL_5	MIDDLE ARM	2
9	PROFILEUL_6	PLATFORM ARM	2
10	PROFILEUL_7	HANDLE	1
11	PROFILEUL_8	CROSS BAR FOR RIGIDITY	2
12	CASTER	SWIVEL, HEAVY-DUTY WHEEL	4
13	END CAP_1	END CAP FOR 45X32 PROFILES	2
14	END CAP_2	END CAP FOR 45X45 PROFILES	2
15	ANGLE BRACKET	FLEXIBLE ELBOW JOINT	4
16	LEVER	LEVER TO STOW HANDLE	2

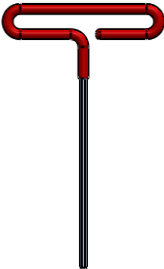
Color Code

ITEM NO.	NAME	LENGTH (IN.)	LENGTH (cm)	COLOR
4	PROFILEUL_1	10	25.4	RED
5	PROFILEUL_2	20.46	51.97	BLUE
6	PROFILEUL_3	14.46	36.73	YELLOW
7	PROFILEUL_4	12	30.48	GREEN
8	PROFILEUL_5	8.25	20.96	ORANGE
9	PROFILEUL_6	8	20.32	CYAN
10	PROFILEUL_7	11.46	29.11	PURPLE
11	PROFILEUL_8	7.91	20.09	PINK

Required Tools

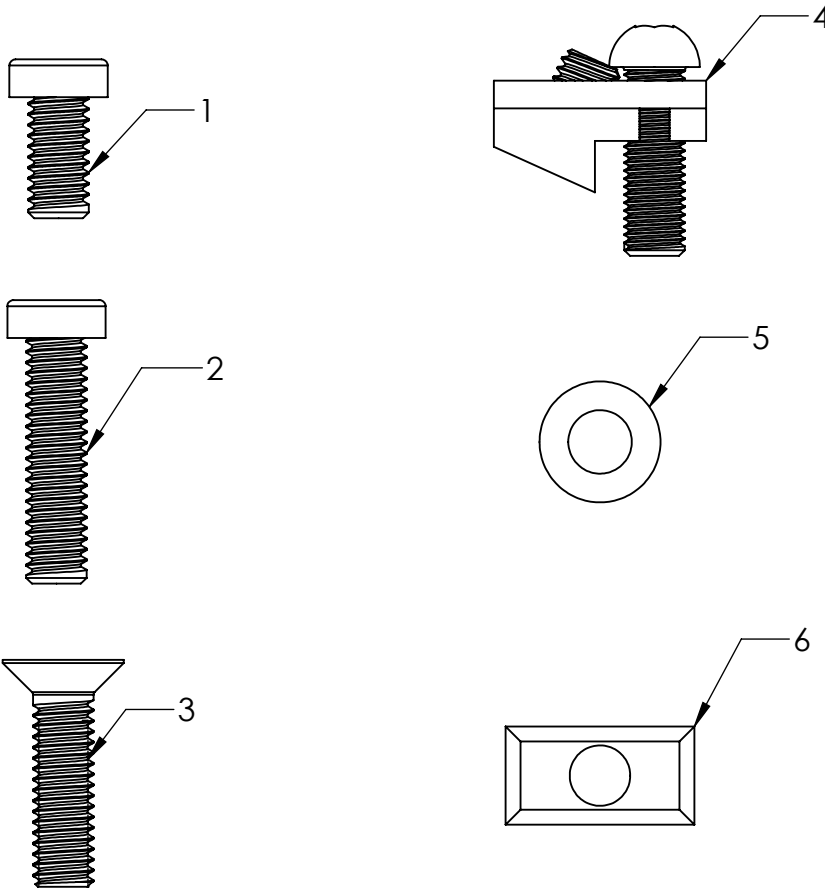


4mm hex key



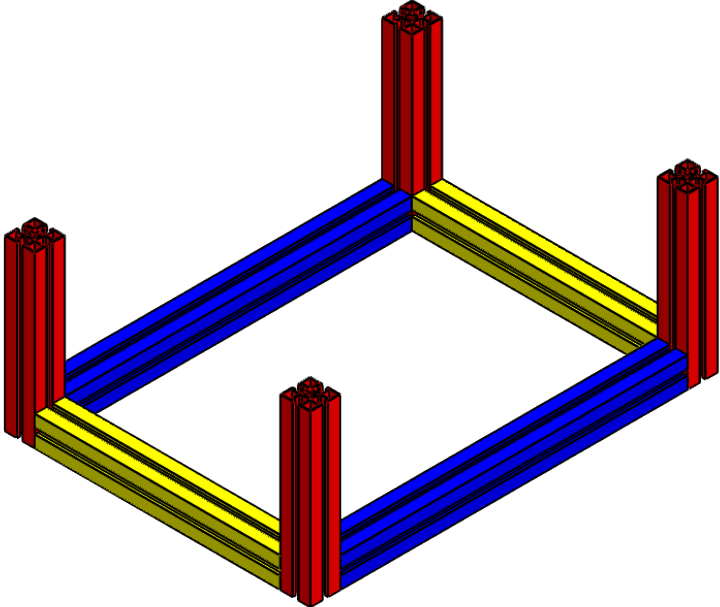
5mm hex key

Additional Connection Pieces

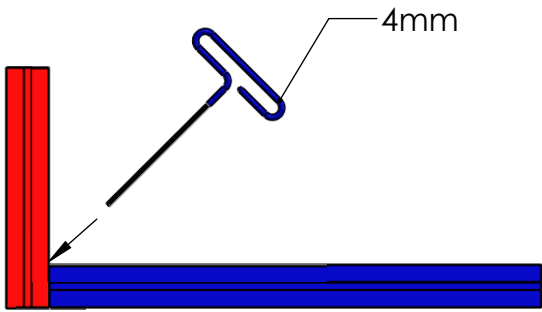
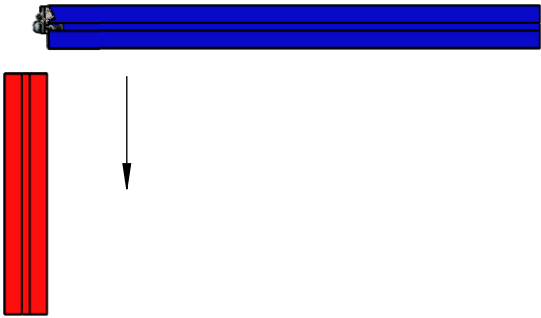
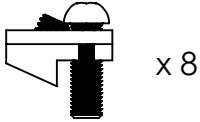


PIECE NUMBER	PART #	DESCRIPTION	QTY
1	21.1264	SHORT BOLTS FOR CASTERS	12
2	21.1206	LONG BOLTS FOR CASTERS	4
3	21.1516	COUNTERSUNK SCREWS FOR TOP	4
4	21.1018	INTERNAL FASTENERS FOR PROFILES	14
5	21.1127	WASHERS FOR LEVERS	2
6	21.1368	SQUARE NUTS FOR LEVERS	2

Building The Box

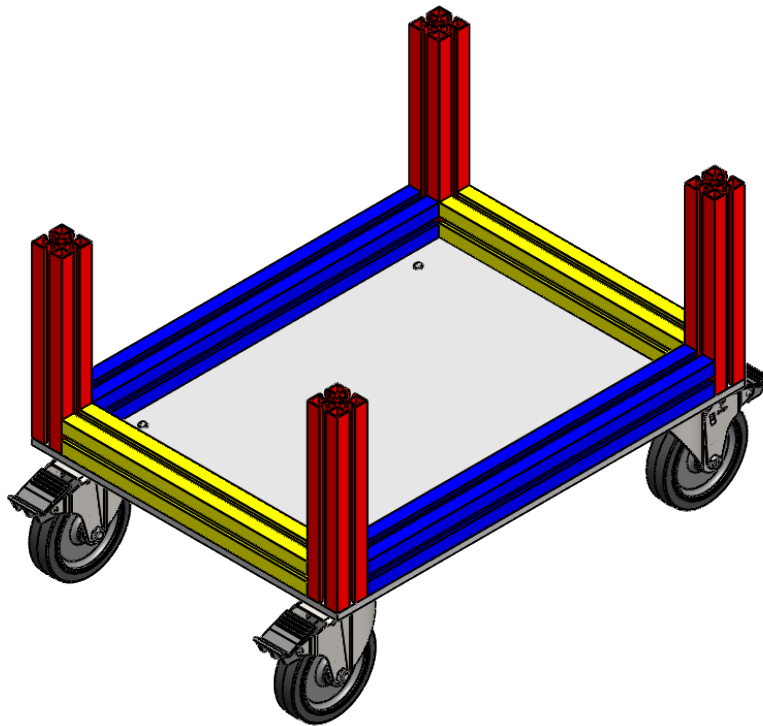


Connections needed:

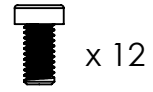


Repeat for both ends of blue and yellow

Attaching the Casters



Connections needed:



x 12

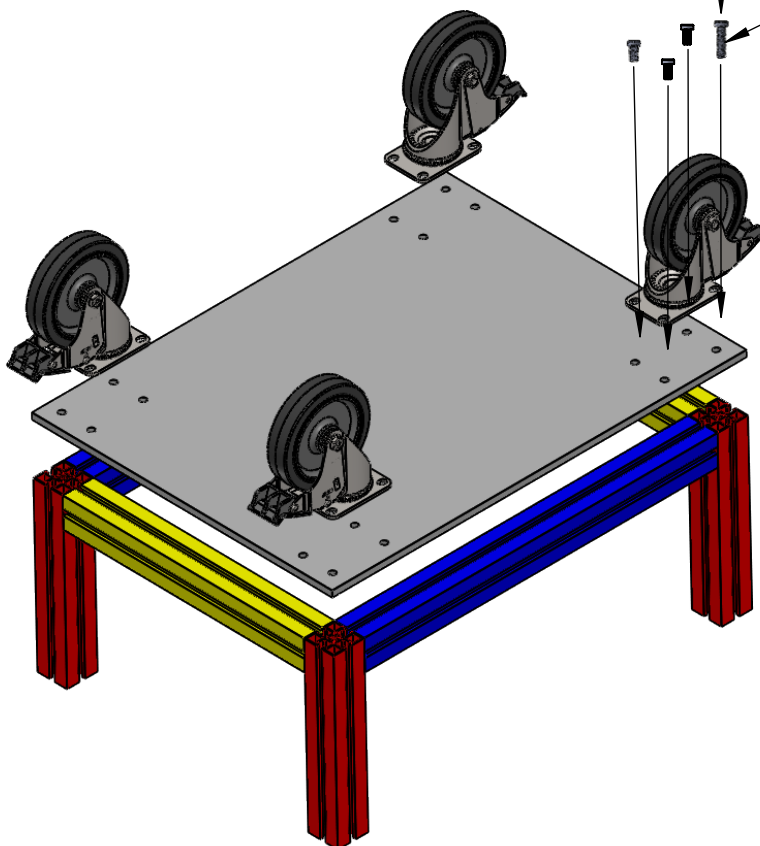


x 4

5mm

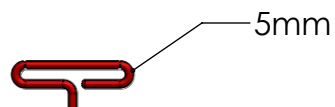
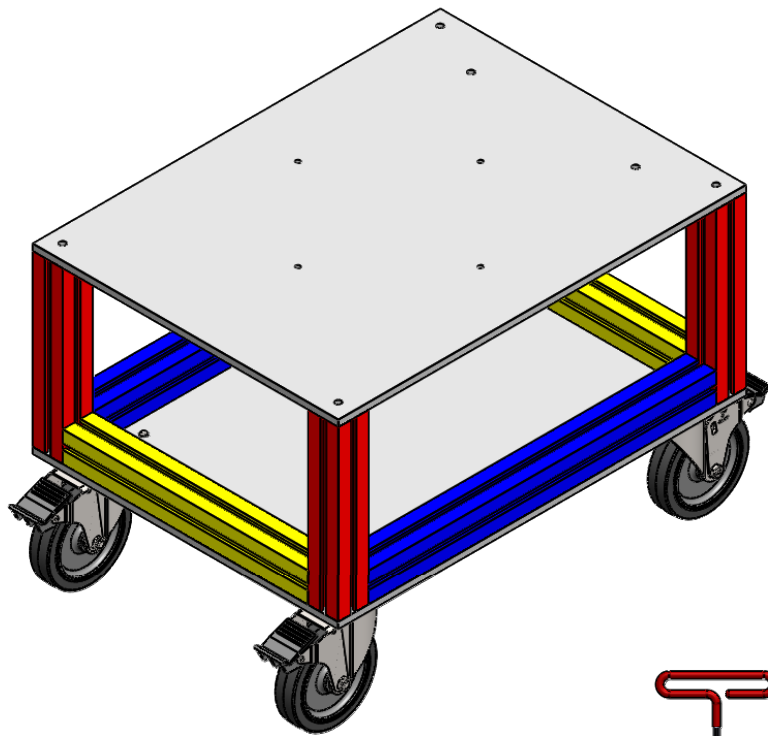
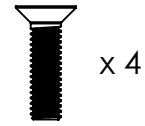


The longer bolts go on the corners

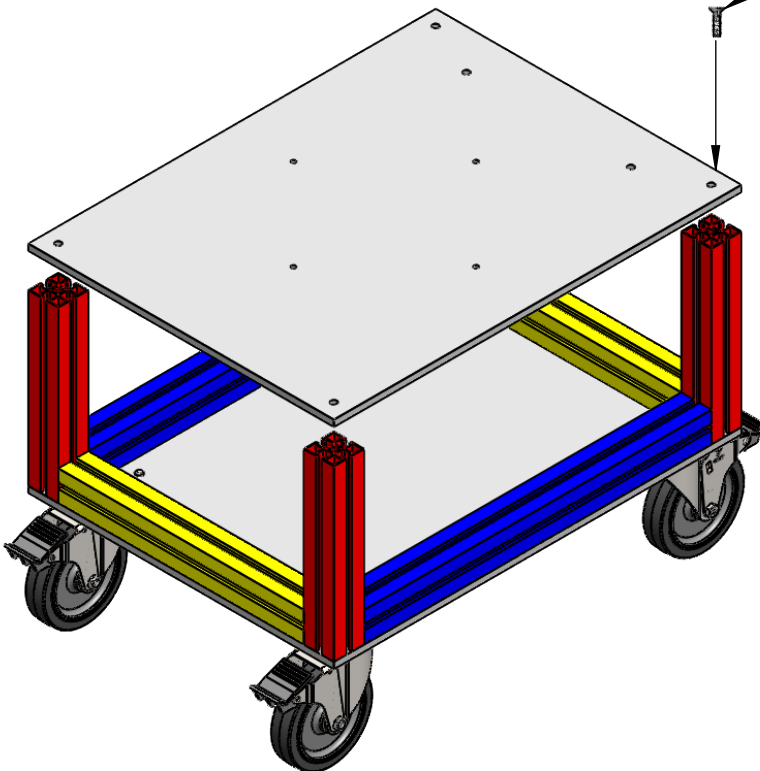


Attaching the Top Plate

Connections needed:

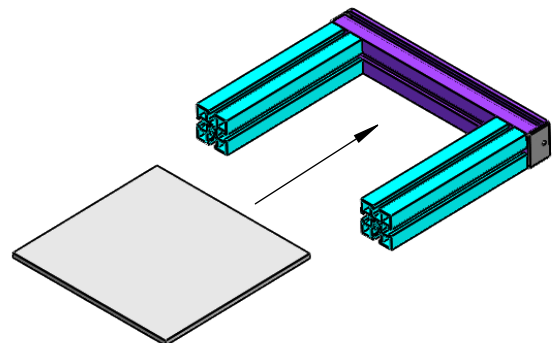
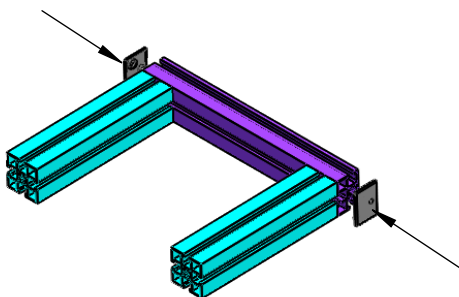
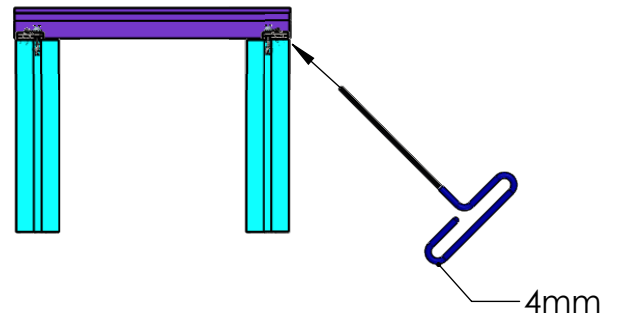
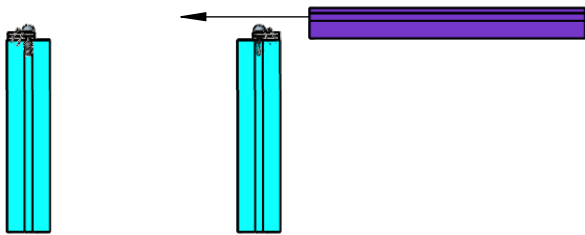
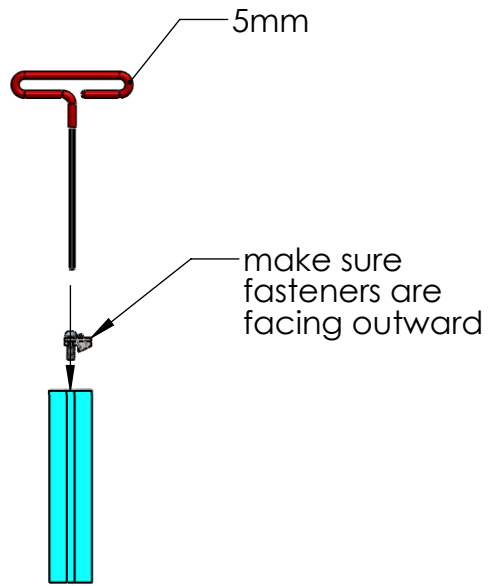
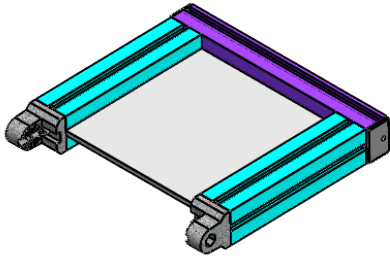
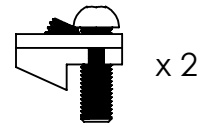


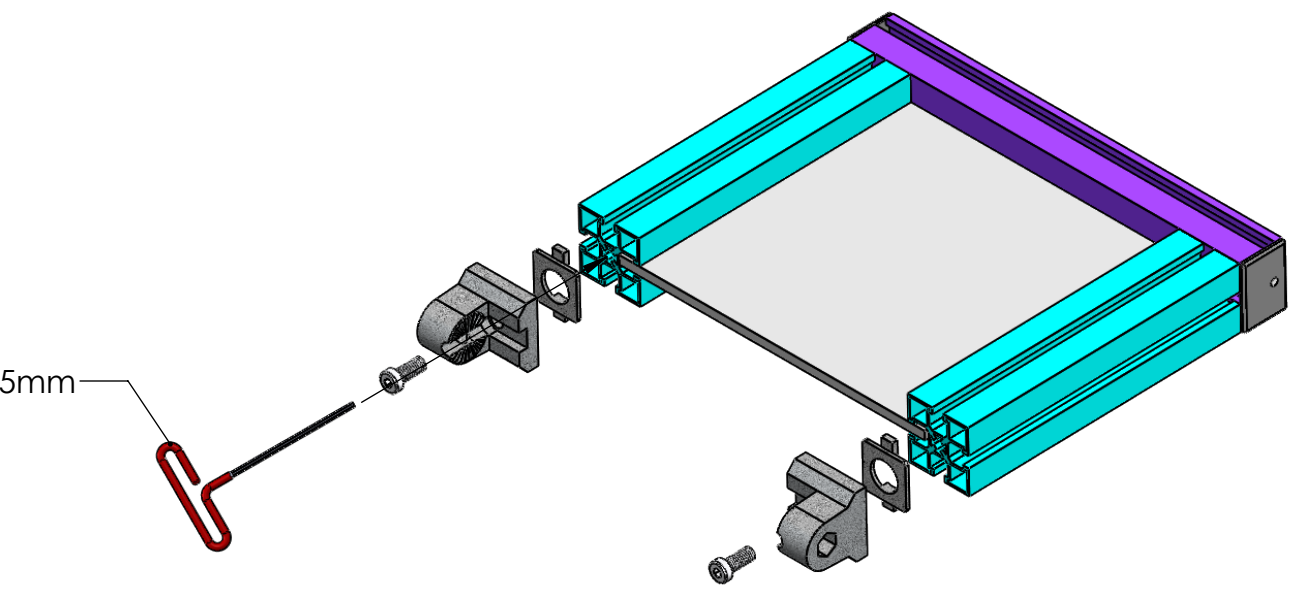
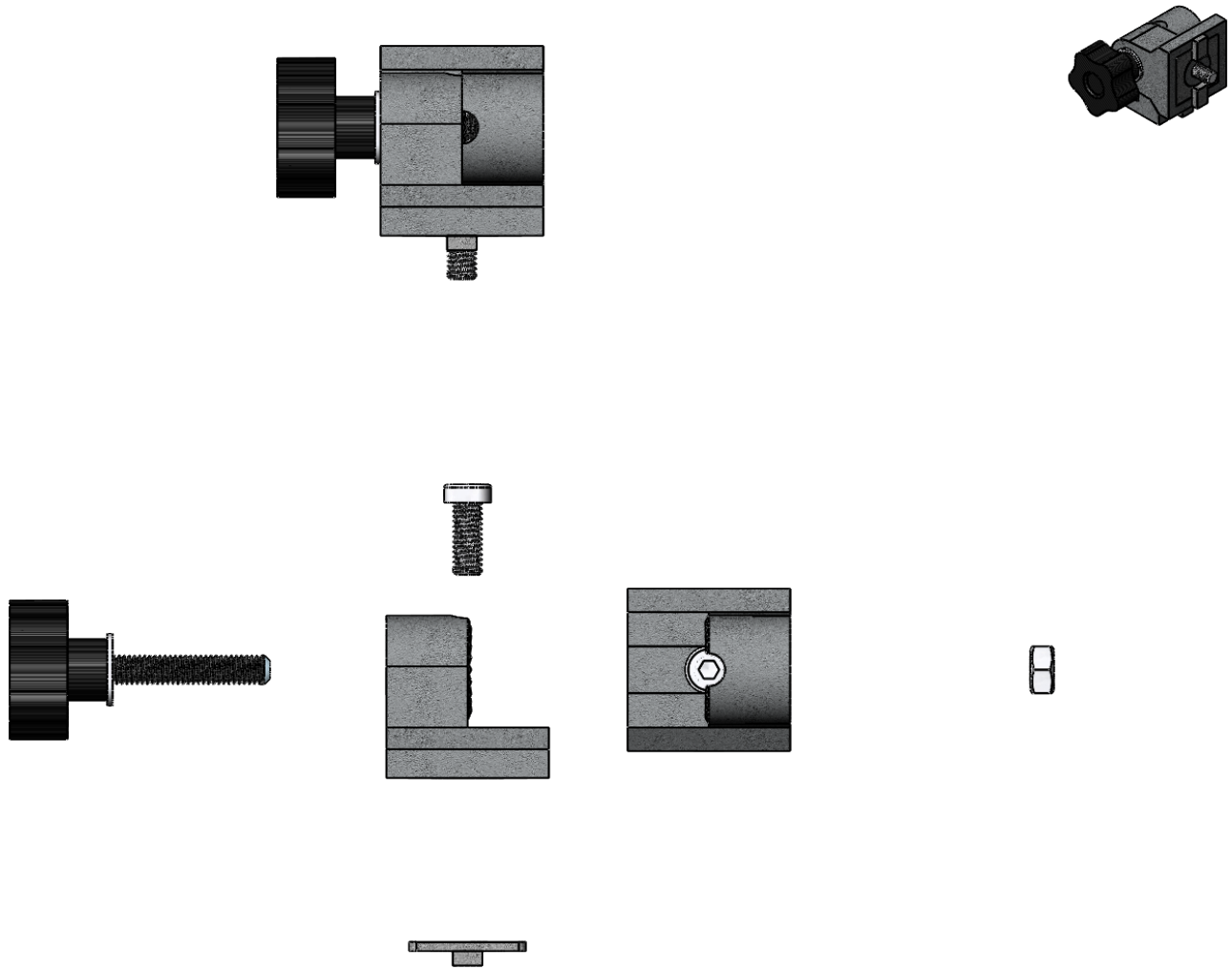
Repeat on all four corners



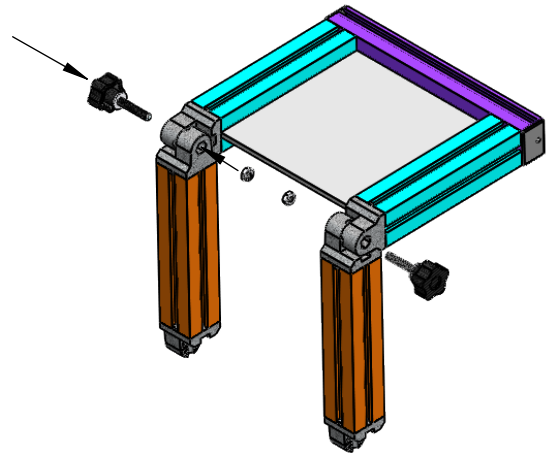
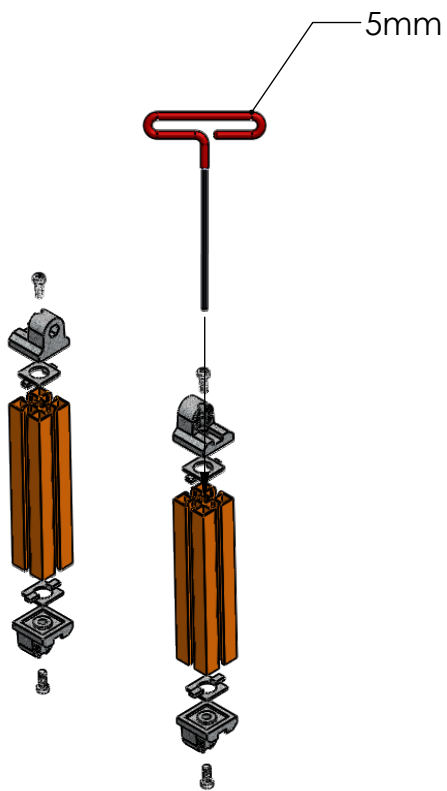
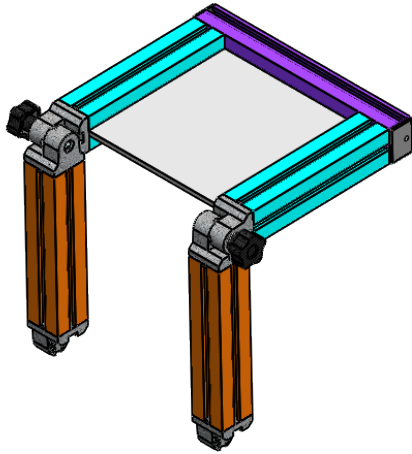
Handle Platform

Connections needed:

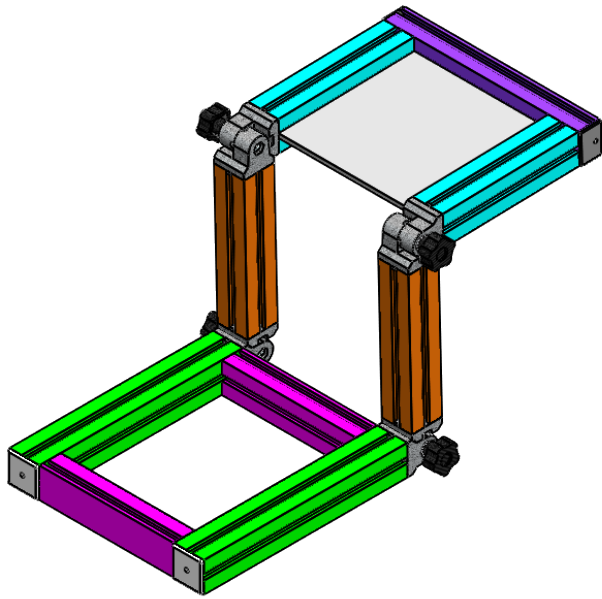




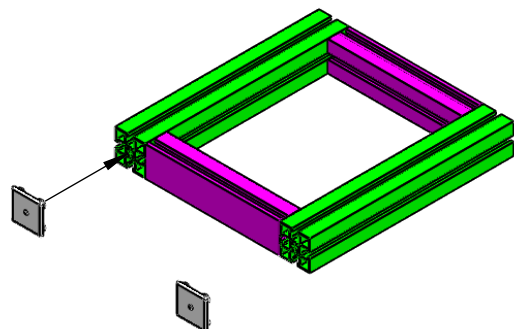
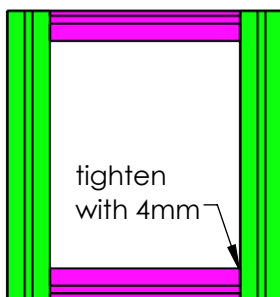
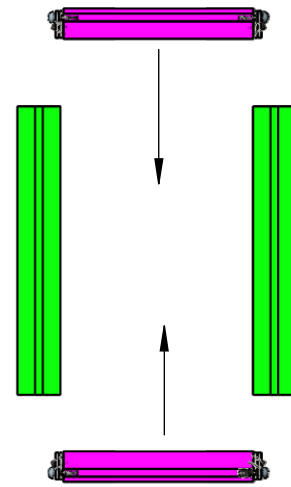
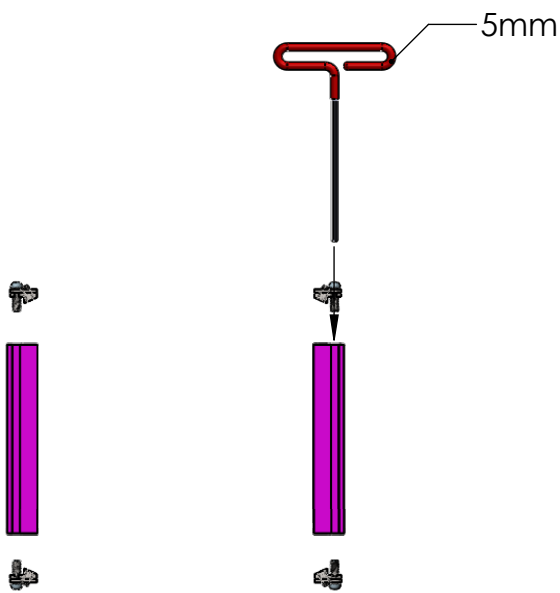
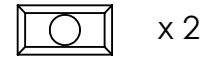
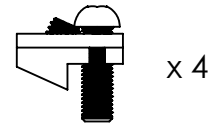
Combining the Elbows

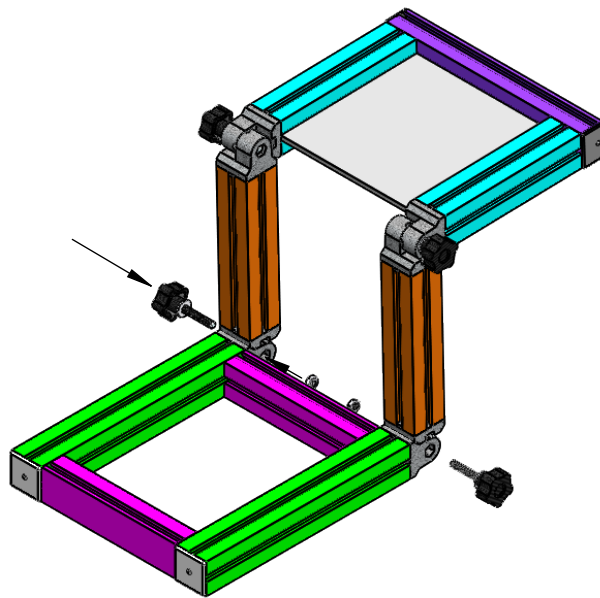
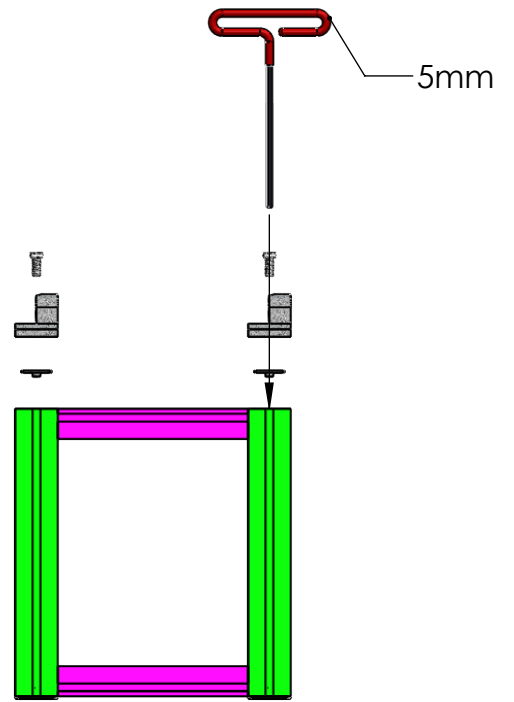
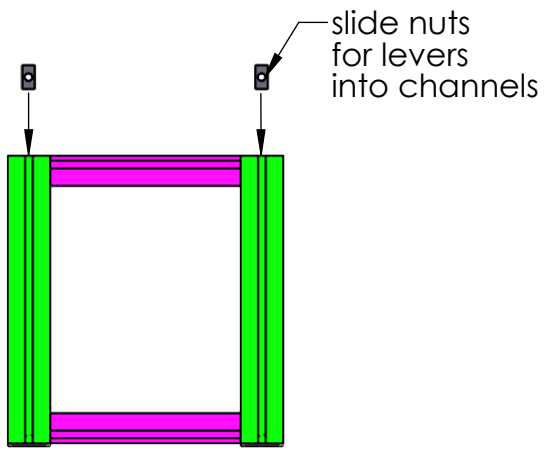


Finishing the Handle



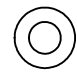
Connections needed:

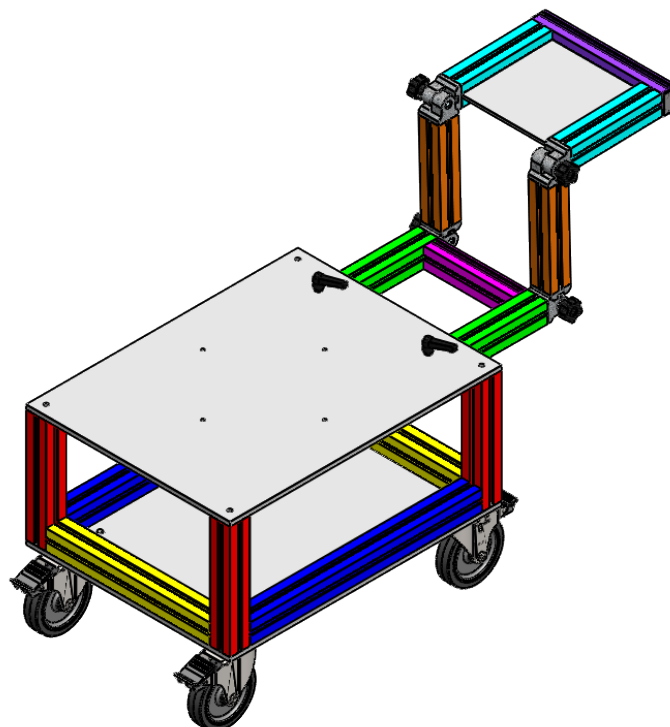
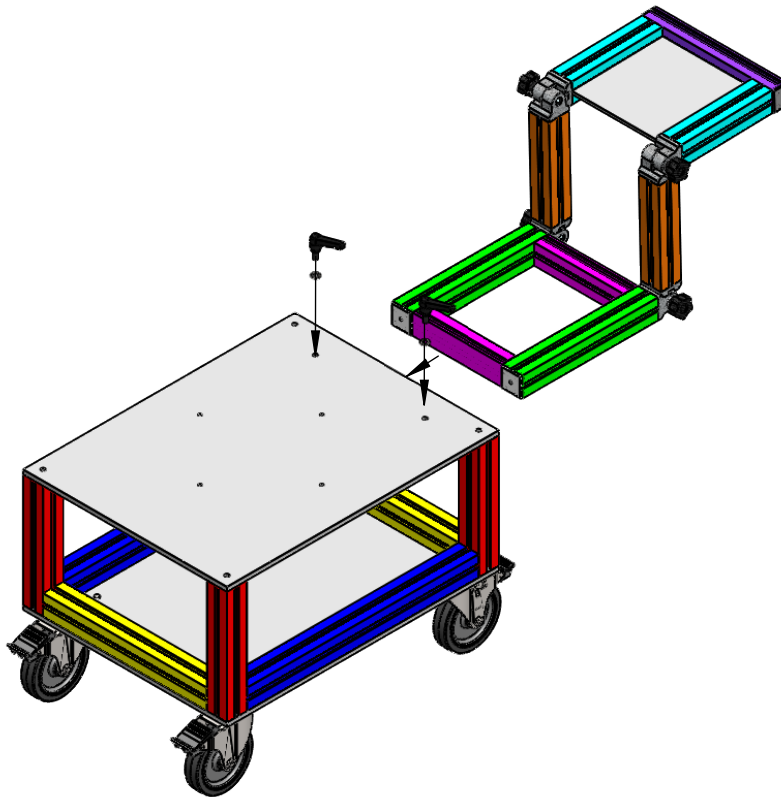




Attaching the Handle to the Cart

Connections needed:

 x 2



© DIYnamics 2020
<https://diynamics.github.io/>

DIYNAMICS